



GOUDA

Blok steam trap type SRS-XS TC

Thermostatic(bimetallic) steam trap

This principle of operation results in a constant flow of condensate controlled by pressure and temperature without steam losses. The valve operates as discharge-, vent- and check valve. Including built-in strainer. Application drip steam lines and tracing, operating pressure 0-17 bar.



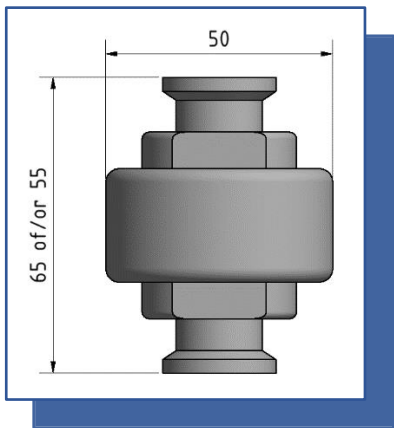
Type SRS-XS TC without strainer (55mm)



Type SRS-XS TC with strainer (65mm)

Blok steam trap type SRS-XS TC

Built-in sizes



Connection	
In-/outlet	Tri-clover clamp

Range		
Pressure	PMO 17 bar	PMA 40 bar
Temperature	TMO 300°C	TMA 300°C
Pressure class body	PN40	150 lbs

Materials	
Body	Stainless steel
Internals	Various stainless steel
Gaskets	Graphite with ss inlay
Valve	Hardened

