

Blok steam trap type AG/BG/CG/DG

Thermostatic(bimetallic) steam trap

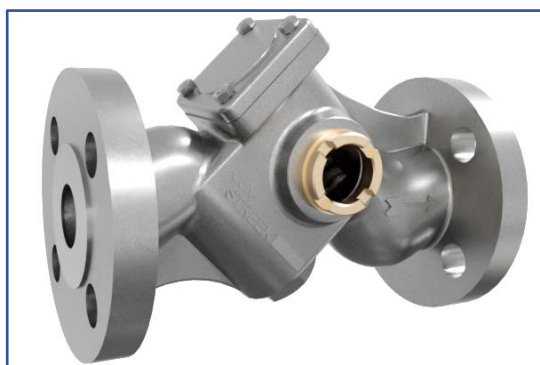
This principle of operation results in a constant flow of condensate controlled by pressure and temperature without losing steam. The valve operates as discharge-, vent- and check valve. Including y-type strainer. Optional with sight glasses and/or adjusting device. Application drip steam lines and small heat-exchangers, operating pressure 0-15 bar.



Type DG not adjustable during operation and without sight glasses



Type CG adjustable during operation without sight glasses



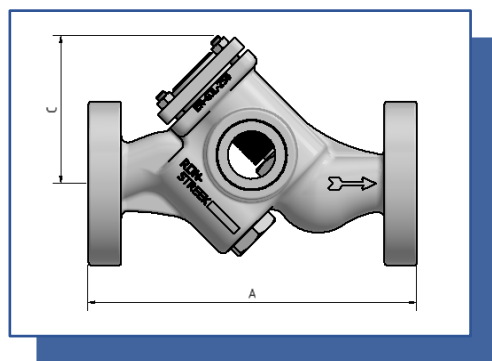
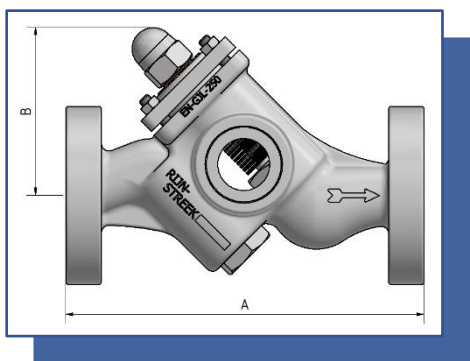
Type BG not adjustable during operation and with sight glasses



Type AG adjustable during operation and with sight glasses

Blok steam trap type AG/BG/CG/DG

Built-in sizes



Connections	flanged EN / ASME		
In-/outlet	DN40 – PN16	DN50 – PN16	2" - 150 lbs.
A (mm)	270	270	270
B (mm)	150	150	150

Range		
Pressure	PMO 15 bar	PMA 16 bar
Temperature	TMO 300°C	TMA 300°C
Pressure class body	PN16	150 lbs

Materials	
Body	EN-GJL-250
Internals	Several stainless steel
Gaskets	Graphite with ss inlay
Valve	Hardened

