

Blok steam trap type OPTI

Thermostatic(bimetallic) steam trap

This principle of operation results in a constant flow of condensate controlled by pressure and temperature without steam losses. The valve operates as discharge-, vent- and check valve. Including y-type strainer. Optional with sight glasses and/or adjusting device. Application drip steam lines and heat-exchangers, operating pressure 0-25 bar with sight glasses and 0-32 without sight glasses.



Type Opti threaded/ weld ends



Type Opti flanged



Type Opti-V adjustable during operation



Type Opti-V adjustable during operation



Type Opti-G with sight glasses not adjustable during operation



Type Opti-G with sight glasses not adjustable during operation



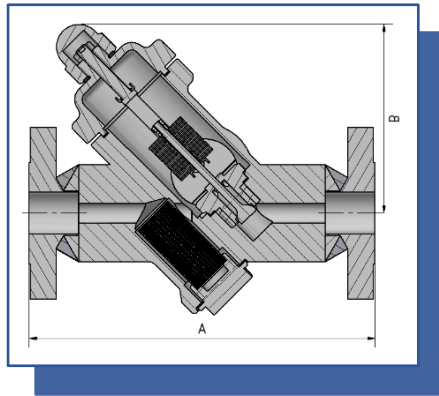
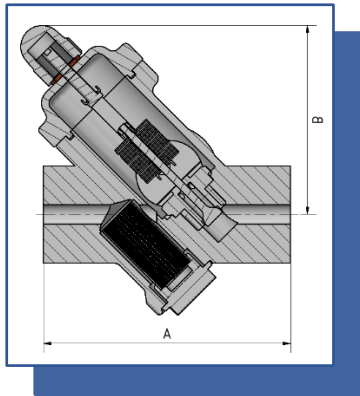
Type Opti-VG with sight glasses adjustable during operation



Type Opti-VG with sight glasses adjustable during operation

Blok steam trap type OPTI

Built-in sizes



Connections	threaded NPT/BSP	SW/BW	flanged EN / ASME			
In-/outlet	½" – 2"	½" - 2	¾"-DN20	1"-DN25	1½"-DN40	2" -DN50
A (mm)*	165	165	230	230	230/270	230/270
B (mm)	120	120	120	120	120	120

* other sizes on request

Range	
Pressure	PMO 32 bar (with sight glass 25 bar) PMA 40 bar (with sight glass 25 bar)
Temperature	TMO 400°C TMA 400°C
Pressure class body	PN40 300 lbs

Materials	
Body	Forged steel P250GH comp. ASTM A105
Internals	Several stainless steel
Gaskets	Graphite with ss inlay
Valve	Hardened

