



GOUDA

## Blok steam trap type MS-HD

### Thermostatic(bimetallic) steam trap

This principle of operation results in a constant flow of condensate controlled by pressure and temperature without steam losses. The valve operates as discharge-, vent- and check valve. Including built-in strainer. Optional with adjusting device. Application drip steam lines and tracing , operating pressure 0-40 bar.



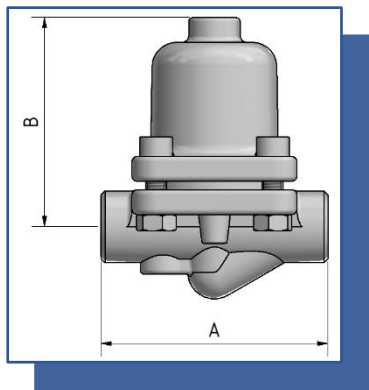
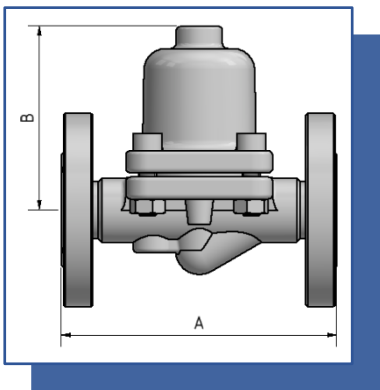
Type MS-HD threaded/weld ends



Type MS-HD flanged

# Blok steam trap type MS-HD

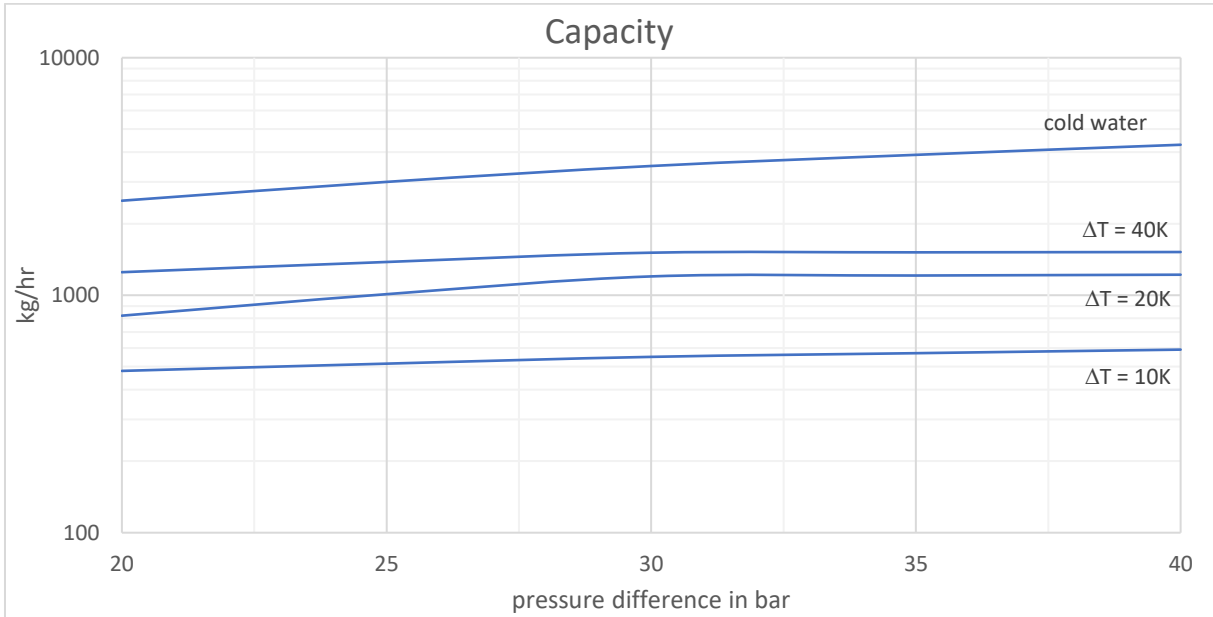
## Built-in sizes



Connection	Threaded NPT/BSP		SW/BW		Flanged EN / ASME		
In-/outlet	1/2"	3/4"	1/2"	3/4"	DN15 - 1/2"	DN20 - 3/4"	DN25 - 1"
A (mm)	110	110	110	110	150	150	160
B (mm)	110	110	110	110	110	110	110

Range		
Pressure	PMO 40 bar	PMA 40 bar
Temperature	TMO 400°C	TMA 400°C
Pressure class body	PN40	300 lbs

Materials	
Body	Forged steel P250GH comp ASTM A105
Internals	Several stainless steel
Gaskets	Graphite with ss inlay
Valve	Hardened



29-6-2021 subject of changes