

Blok steam trap type MS/MSV

Thermostatic(bimetallic) steam trap

This principle of operation results in a constant flow of condensate controlled by pressure and temperature without steam losses. The valve operates as discharge-, vent- and check valve. Including built-in strainer. Optional with adjusting device. Application drip steam lines and tracing. Operating pressure 0-23 bar.



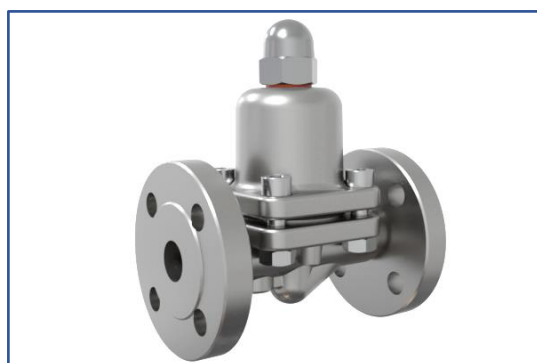
Type MS threaded/weld ends



Type MSV adjustable during operation and threaded or weld ends



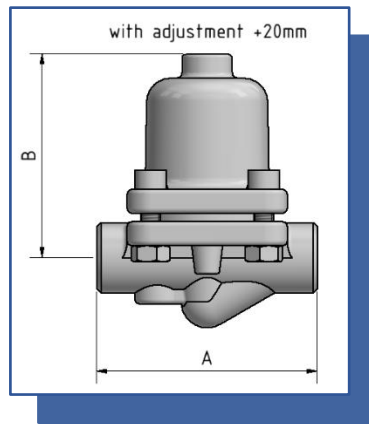
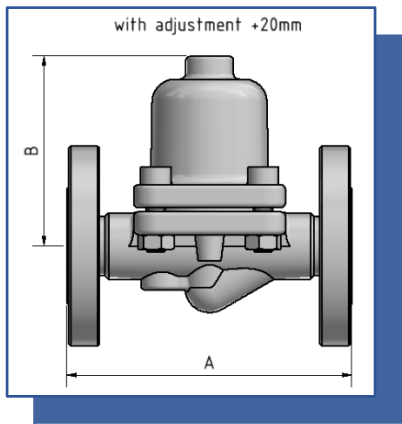
Type MS flanged



Type MSV adjustable during operation and fanged

Blok steam trap type MS/MSV

Built-in sizes



Connections	threaded NPT/BSP		SW/BW		flanged EN / ASME		
In-/outlet	1/2"	3/4"	1/2"	3/4"	DN15 - 1/2"	DN20 - 3/4"	DN25 - 1"
A (mm)	110	110	110	110	150	150	160
B (mm)	110	110	110	110	110	110	110

Range		
Pressure	PMO 23 bar	PMA 40 bar
Temperature	TMO 400°C	TMA 400°C
Pressure class body	PN40	300 lbs

Materials	
Body	Forged steel P250GH comp ASTM A105
Internals	Several stainless steel
Gaskets	Graphite with ss inlay
Valve	Hardened

