



GOUDA

Blok steam trap type SRS

Thermostatic(bimetallic) steam trap

This principle of operation results in a constant flow of condensate controlled by pressure and temperature without steam losses. The valve operates as discharge-, vent- and check valve. Including built-in strainer. Application drip steam lines and tracing, operating pressure 0-20 bar.



Type SRS threaded female



Type SRS pipe connection



Type SRS threaded male



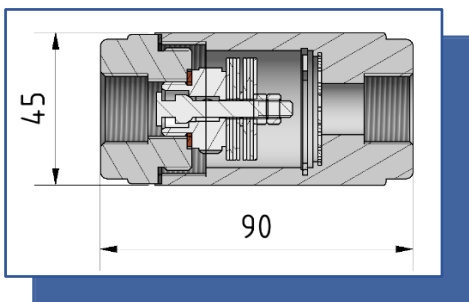
Type SRS Tri-clover



Type SRS fitting

Blok steam trap type SRS

Built-in sizes



Connections	
Threaded female	1/2" and 3/4" BSP or NPT
Threaded male	1/2" BSP or NPT outside
Pipe connection	12 mm outside
Tri-clover	Tri-clover clamp
Fitting	Tracing line 8,10, 12, 15 mm (copper or ss)

Range		
Pressure	PMO 20 bar	PMA 40 bar
Temperature	TMO 400°C	TMA 400°C
Pressure class body	PN40	300 lbs

Materials	
Body	1.4305 / SS 303 (optional other SS qualities)
Internals	Several SS
Gaskets	Graphite with SS inlay
Valve	Hardened

