



GOUDA

Blok steam trap type SRS-XS

Thermostatic(bimetallic) steam trap

This principle of operation results in a constant flow of condensate controlled by pressure and temperature without steam losses. The valve operates as discharge-, vent- and check valve. Including built-in strainer. Application drip steam lines and tracing, operating pressure 0-17 bar.



Type SRS-XS female/male threaded



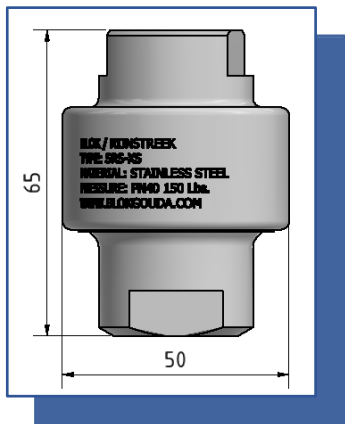
Type SRS-XS female threaded



GOUDA

Blok steam trap type SRS-XS

Built-in sizes



| Connection | |
|-----------------------------|-------------------------|
| In-/outlet | ¼", ⅜", ½" BSP or NPT |
| Female threaded | ¼", ⅜" en ½" BSP or NPT |
| Female/male threaded | ½" - ½" BSP or NPT |

| Range | | |
|----------------------------|------------|------------|
| Pressure | PMO 17 bar | PMA 40 bar |
| Temperature | TMO 300°C | TMA 300°C |
| Pressure class body | PN40 | 150 lbs |

| Materials | |
|------------------|-------------------------|
| Body | Stainless steel |
| Internals | Several stainless steel |
| Gasket | Graphite with ss inlay |
| Valve | Hardened |

