

Eurotrap steam trap type BFR-DI

Float steam trap for horizontal or vertical installation

The operating principle of the float ensures starting condensate and steam venting when starting up the steam installation. In/outlet female thread.

For mounting can be easily converted to both horizontal and vertical versions.

Application of this float steam trap is equipped for small heat exchangers. Working pressure 0 – 14 bar.



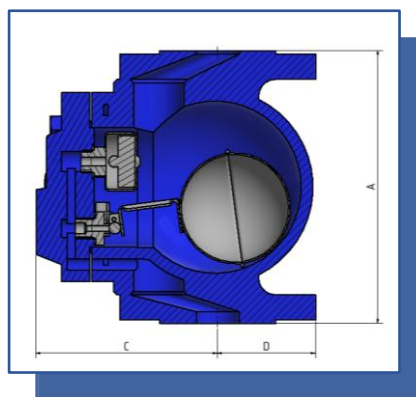
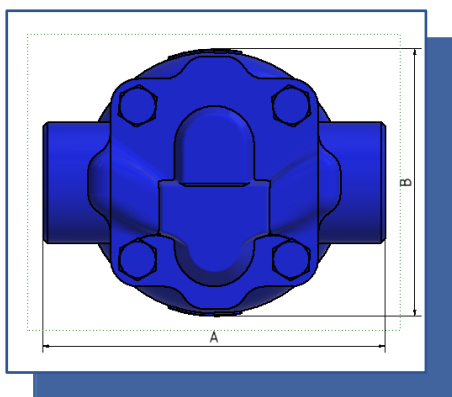
BFR-DI thread/welding ends



BFR-DI flanged

Eurotrap steam trap type BFR-DI

Built-in sizes



Connection	BFR2DI	BFR2DI-F	BFR3DI	BFR3DI-F
In-/outlet	15/20	15/20	25	25
A (mm)	122	150	145	160
B (mm)	108	108	108	108
C (mm)	67	67	76	110
D (mm)	81	81	91	94
Weight (kg)	3.8	5	4.8	6.8

Range

Pressure	PMO 14 bar
Temperature	TMO 260°C
Pressure class	PN40

Materials

Body	EN-GJS-400-18
Internal	SS 304
Gaskets	Laminated graphite with SS304 inserts

