

Blok steam trap type KS/KSV

Thermostatic(bimetal) steam trap

This principle of operation results in a constant flow of condensate controlled by pressure and temperature without losing steam. The valve operates as discharge-, vent- and check valve. Including built-in strainer. Optional with adjusting device. Application drip steam lines and tracing , operating pressure 0-17 bar.



Type KS threaded/weld ends



Type KS flanged



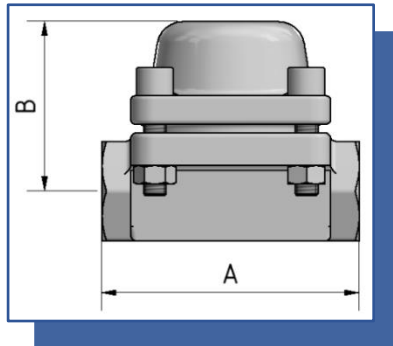
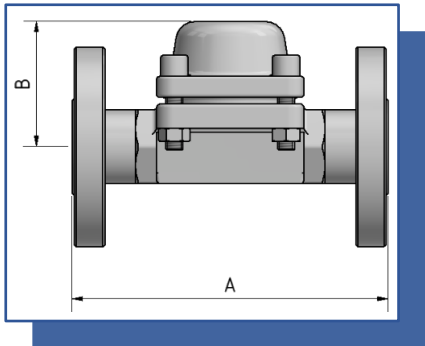
Type KSV adjustable during operation and threaded/weld ends



Type KSV adjustable during operation and flanged

Blok steam trap type KS/KSV

Built-in sizes



Connections	threaded NPT/BSP		SW/BW		flanged EN / ASME		
In-/outlet	½"	¾"	½"	¾"	DN15 - ½"	DN20 - ¾"	DN25 - 1"
A (mm)	90	90	90	90	150	150	160
B (mm)	without adjusting device 61				with adjusting device 103		

Bereik		
Druk	PMO 17 bar	PMA 40 bar
Temperatuur	TMO 400°C	TMA 400°C
Drukklasse huis	PN40	150 lbs

Materials	
Body	Forged P250GH comp. ASTM A105
Internals	Several stainless steel
Gaskets	Graphite with ss inlay
Valve	Hardened

